

P02

2 directions mechanically interlocked



ENGRAVING



DESCRIPTION

For single-speed motor control
 No. 2 push buttons with 1 NO contact
 No. 2 push buttons with 2 NO contacts
 No. 2 push buttons with 1NC+1NO contacts

For two-speed motor control
 No. 2 push buttons with NO contacts

For 1kW single-phase motor control
 No. 2 push buttons with 1NC+2NO contacts

REFERENCE NO.

P02.1

P02.2

P02.4

P02.D2

P02.CD

WEIGHT gr

230

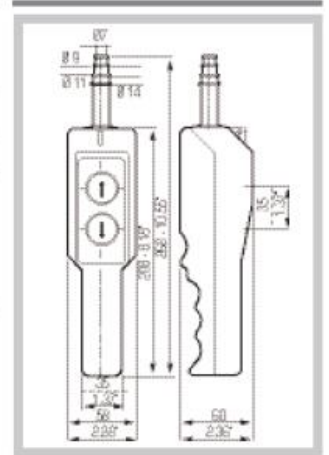
250

250

250

230

DIMENSIONS

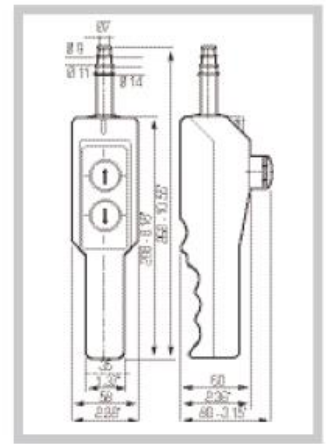


For single-speed motor control
 No. 1 Emergency stop
 ø 30 turn to release
 EN418

No. 1 two way and off switch with spring return
 Auxiliary
 16A - 250V ac 1/2 HP

P02.RM

230



PTRM



ENGRAVING



DESCRIPTION

For single-speed motor control
 Provision for capacitor
 45x90 Ø max

No. 1 Emergency stop
 ø 30 turn to release
 EN418

No. 1 two way and off switch with spring return
 Auxiliary
 16A - 250V ac 1/2 HP

REFERENCE NO.

PTRM

WEIGHT gr

230

DIMENSIONS

