

**AD22-22D**  
**PILOTO REDONDO DE LED**

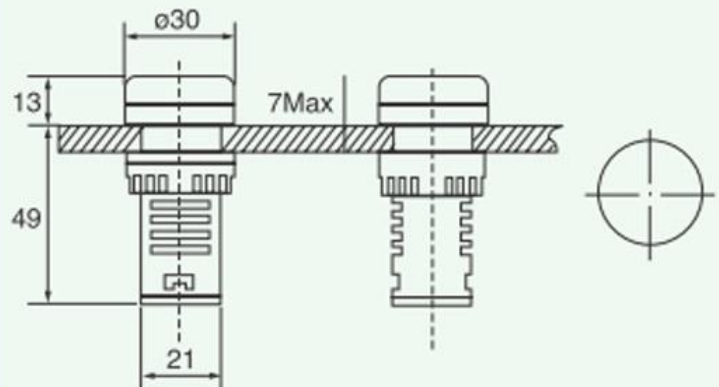


AD22-22DS Ø22

Voltage

- DC.AC6V
- DC.AC12V
- DC.AC24V
- DC.AC36V
- DC.AC48V
- DC.AC110V
- DC.AC127V
- AC220V
- AC380V

AD22-22DS Ø22



**LED Type Indicator**

**Environment condition**

- (1) Ambient temperature:  $-25^{\circ}\text{C} \pm 55^{\circ}\text{C}$
- (2) Relative humidity: 98%
- (3) Working under vibration frequency 2-80Hz, acceleration at 0.7g
- (4) Pollution: class III installation: type III
- (5) "TH" mark can be used in wet and heat conditions

**Main Specifications**

- (1) Dielectric Property: 2.5KV, 1min
- (2) Insulation Resistance  $\geq 2\text{M}\Omega$
- (3) AC Indicative Light Voltage  $\pm 20\%$
- (4) Endurance  $\geq 30000\text{h}$
- (5) Brightness  $\geq 60\text{cd/m}^2$
- (6) Leakage Index: CT1  $\geq 100$
- (7) Top protection class IP65, special order IP67
- (8) Frequency: AC 50-60Hz