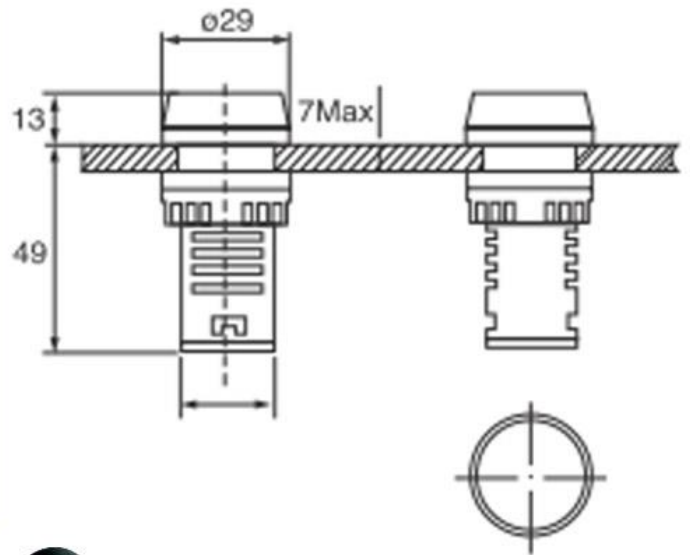


**AD22-22 M/K M/R
PILOTO ZUMBADOR**



Buzzer



Falsh buzzer

AD22-22M/K	●
AD22-22M/r	●

LED Type Indicator

Environment condition

- (1) Ambient temperature: $-25^{\circ}\text{C} \pm 55^{\circ}\text{C}$
- (2) Relative humidity: 98%
- (3) Working under vibration frequency 2-80Hz, acceleration at 0.7g
- (4) Pollution: class III installation: type III
- (5) "TH" mark can be used in wet and heat conditions

Main Specifications

- (1) Dielectric Property: 2.5kV, 1min
- (2) Insulation Resistance $> 2\text{M}\Omega$
- (3) AC Indicative Light Voltage $\pm 20\%$
- (4) Endurance $> 30000\text{h}$
- (5) Brightness $> 60\text{cd/m}^2$
- (6) Leakage Index: CT1 ≥ 100
- (7) Top protection class IP65, special order IP67
- (8) Frequency: AC 50-60Hz